

11449/17L Quitasol, A; F28
 -DNA -heart blood
 -shorts;T-shirt; bracelet;
 sandals; hair tie on r wrist
 -when rolled over; iPhone,
 reading glasses; navel
 piercing; necklace
 -hair in ponytail w/ purple
 streak
 -CO 67%

11443/16U Kurtz; F25
 -DNA and prints (?); blood & humor
 -bra, yoga pants, top; Chacos on
 -daylight tattoo on pelvis; tribal bird on arm
 -charring all over, but all body parts present
 -CO >75% Meclizine 20Ng

11436/33M Finstad; F41
 -DNA and prints; femoral blood
 -shorts, undershirt, LS top, & UGGs on both feet
 -whale tattoo on left calf
 -skull broken, hair gone
 -all body parts
 -CO>75%

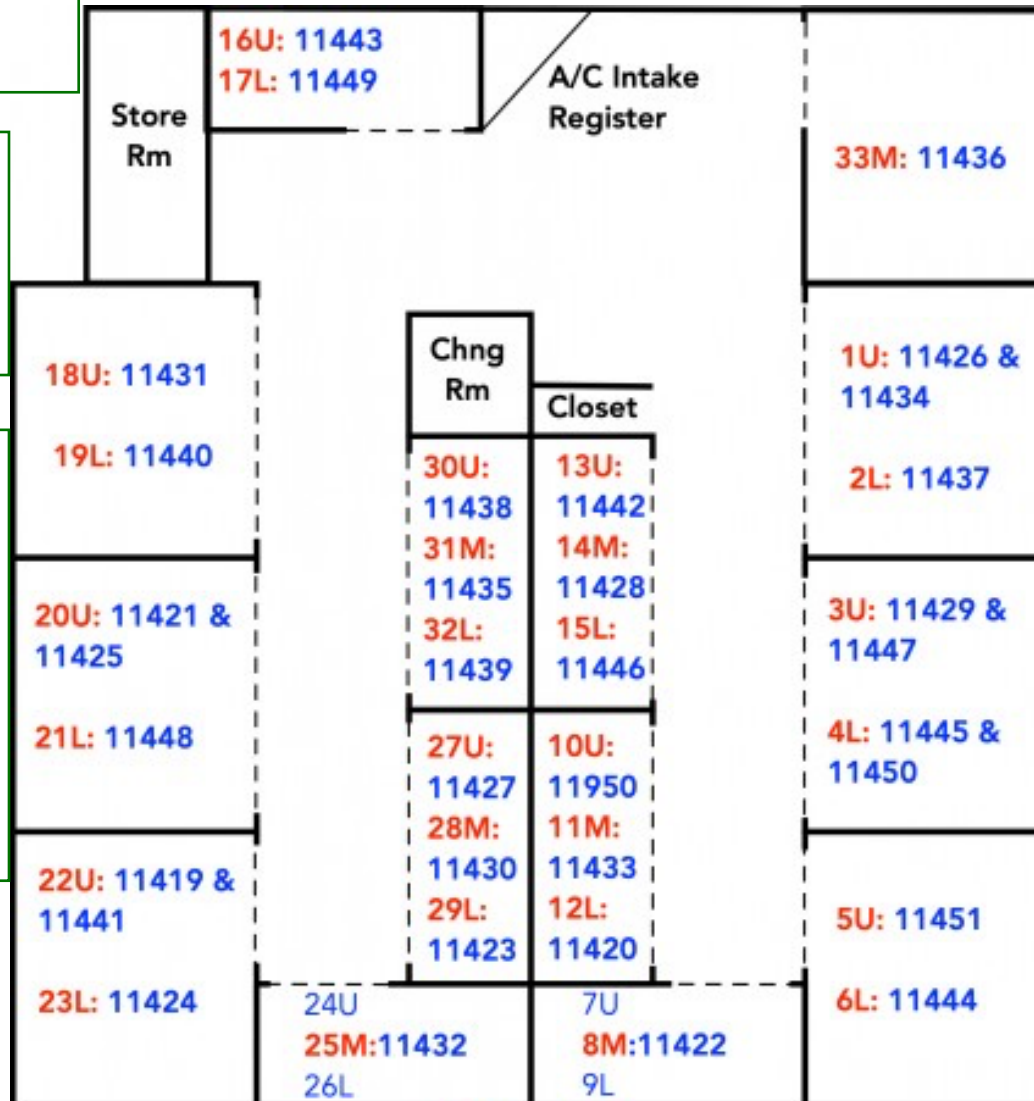
11431/18U Salika; M55
 -DNA; prints; femoral blood
 -pants; LS sweater; no hair
 present on head
 -left lower leg missing
 -CO 58%; no drugs

11440 Adamic; F60
 -coroner examined BEFORE
 photographer
 -DNA; print -femoral blood,
 humor
 -overweight; all hair missing
 -purple top, black sweat
 bottoms, white biking shorts
 under; wearing slip-on brown
 shoes
 -blue flashlight in hand
 -CO>10% on Test #1, on Test
 #2, "unsuitable"; Gabapentin

11426/1U Chan R; M59
 -DNA; heart blood
 -jeans & belt, no shirt; one foot hiking boot,
 other sandal
 -all body parts, including feet & hands
 -cell phone in hand
 -CO 47%; Meclisine; Nortryptiline

11434/1U Chan K; F26
 -DNA; heart blood
 -foam coming from mouth
 -leggings; shirt; underwear; 1 Olukai sandal
 -CO 51%; meclizine

11437/2L Strom M62
 -DNA & prints; femoral blood
 -holding a rolled-up tan/blue leaves garment;
 triathlon wristwatch; blue/red fabric around
 ankles
 -CO 59%; meclizine; cetirizine



27U and 10U
 Are The
 Escape Hatch Bunks